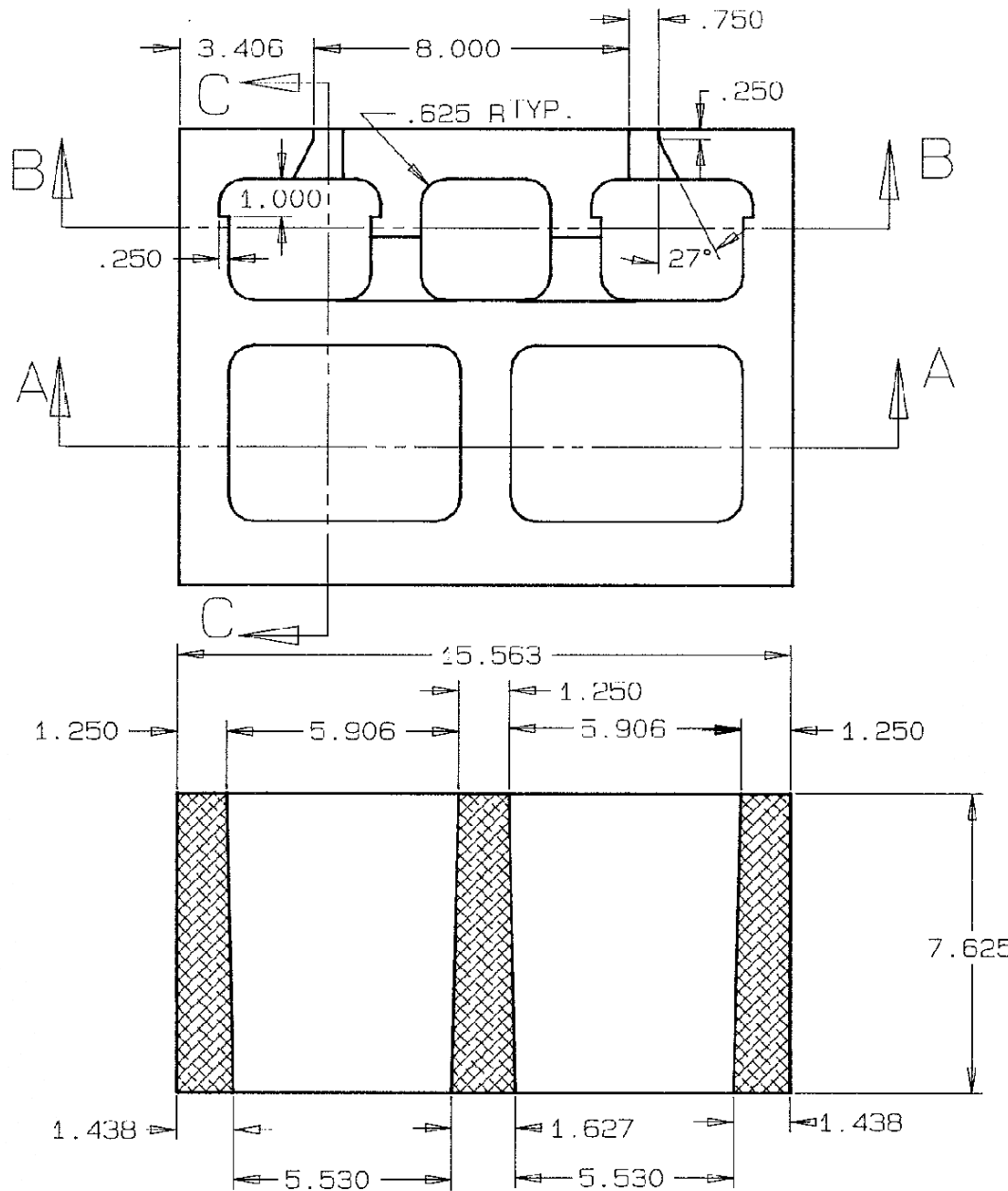
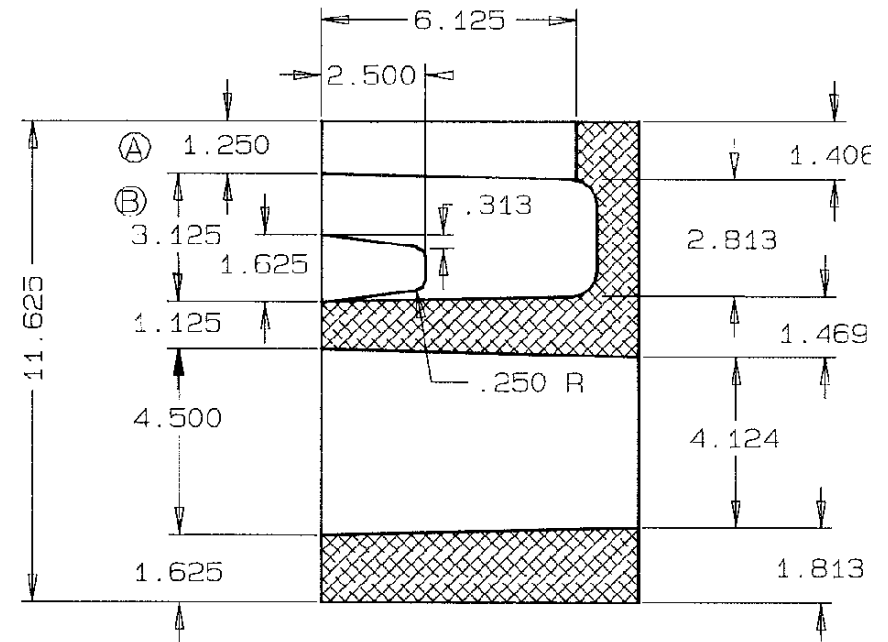


The Proudfoot Co, Inc.



SECTION A-A



12" RSC/RF

Note: This drawing represents proprietary design information covered by the U.S. and foreign patents licensed exclusively to The Proudfoot Company, Inc. Monroe, Connecticut, U.S.A.; Its duplication or use without written permission of The Proudfoot Company, Inc. is prohibited.