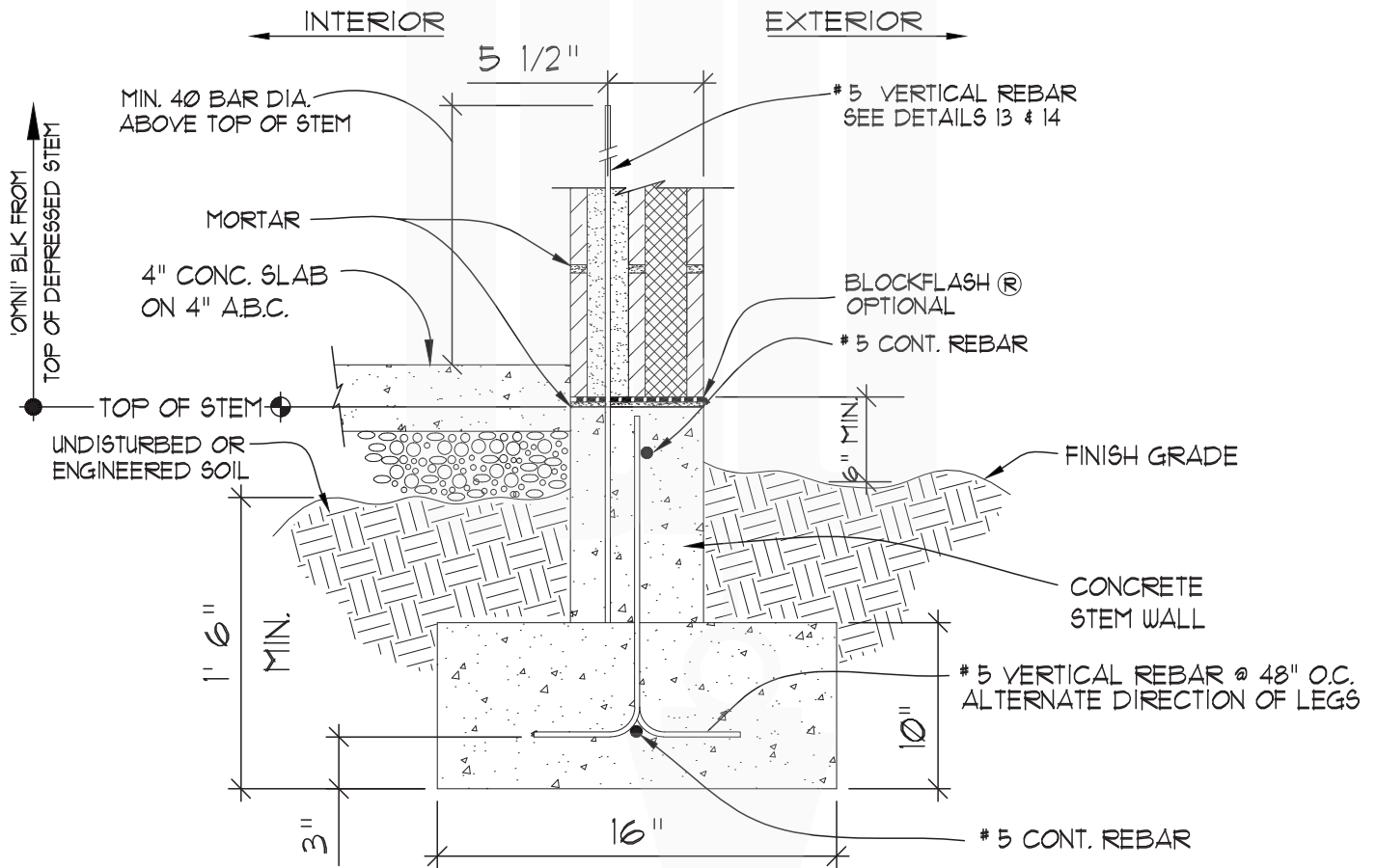




8" x 8" x 16" Exterior Wall Footing – Concrete Stem

Note: Diagrams are not to scale

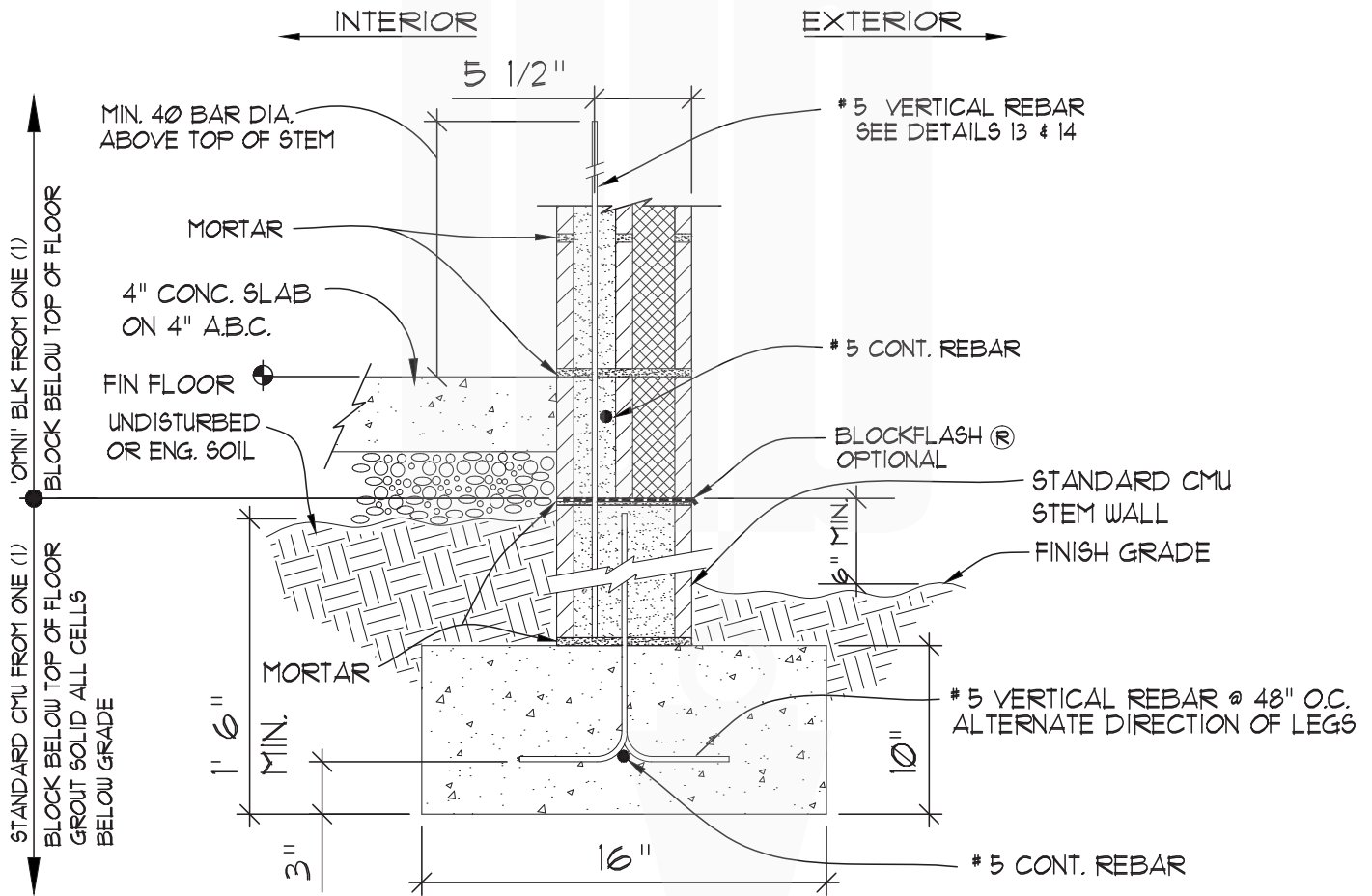


FOOTINGS: ALL BEARING FOOTINGS SHALL BEAR @ 18" (MIN) BELOW TOP OF UNDISTURBED SOIL or TOP OF ENGINEER-CERTIFIED COMPACTED SOIL



8" x 8" x 16" Exterior Wall Footing – CMU Stem

Note: Diagrams are not to scale

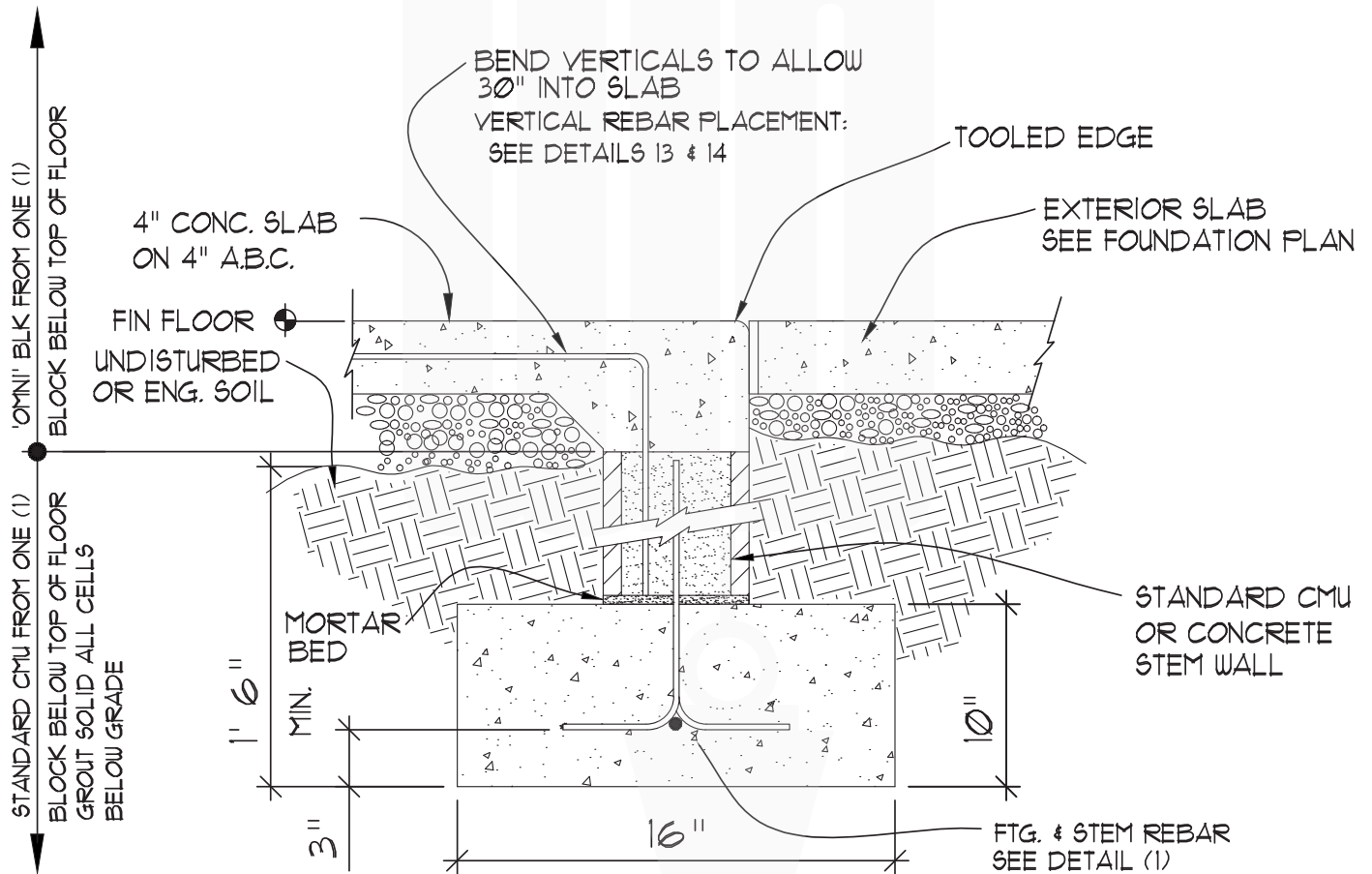


FOOTINGS: ALL BEARING FOOTINGS SHALL BEAR @ 18" (MIN) BELOW TOP OF UNDISTURBED SOIL or TOP OF ENGINEER-CERTIFIED COMPACTED SOIL



8" x 8" x 16" Depressed Stem & Opening

Note: Diagrams are not to scale

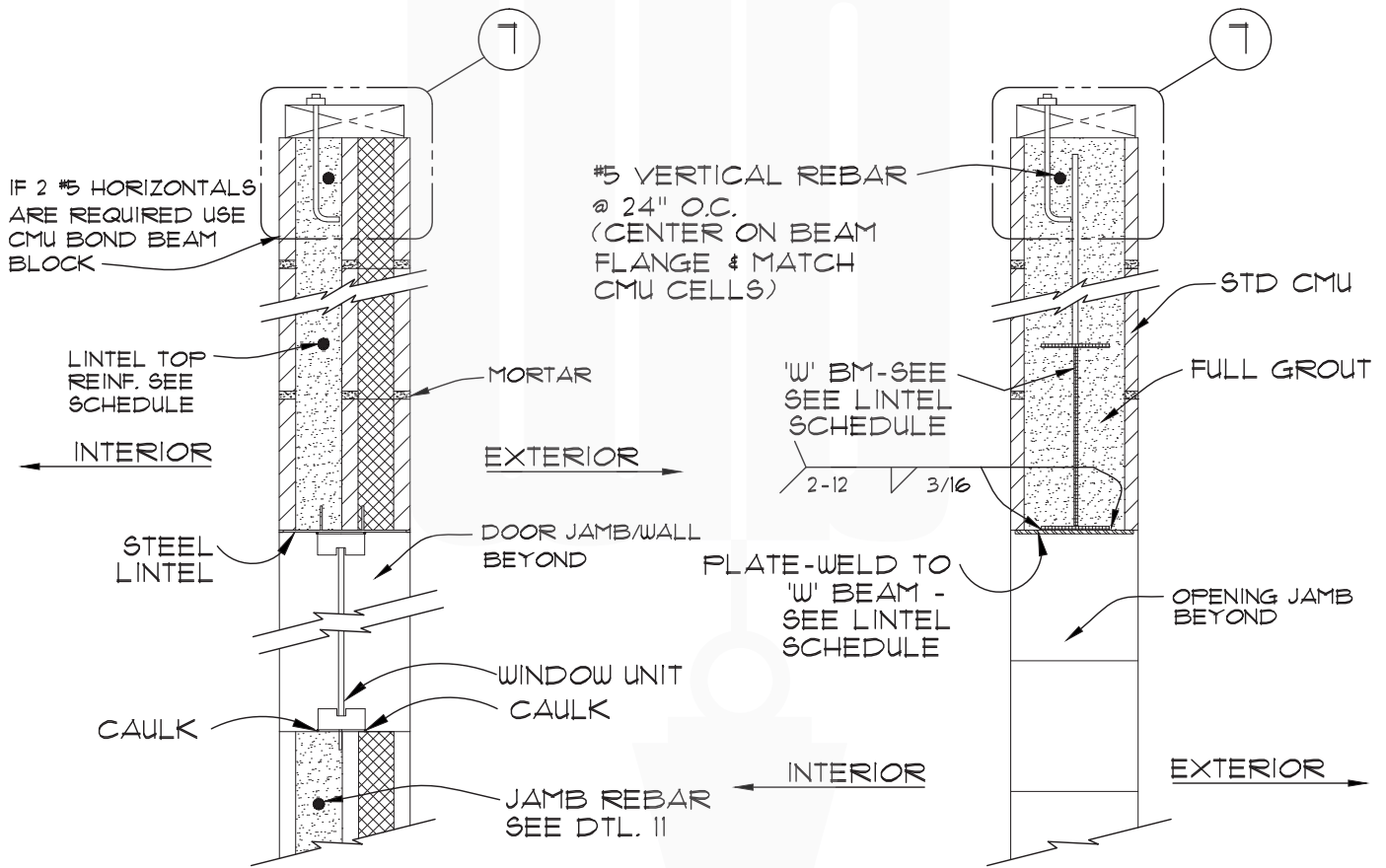


FOOTINGS: ALL BEARING FOOTINGS SHALL BEAR @ 18" (MIN) BELOW TOP OF UNDISTURBED SOIL or TOP OF ENGINEER-CERTIFIED COMPACTED SOIL



8" x 8" x 16" Typical Lintel (S) & 'W' Beam (when used)

Note: Diagrams are not to scale



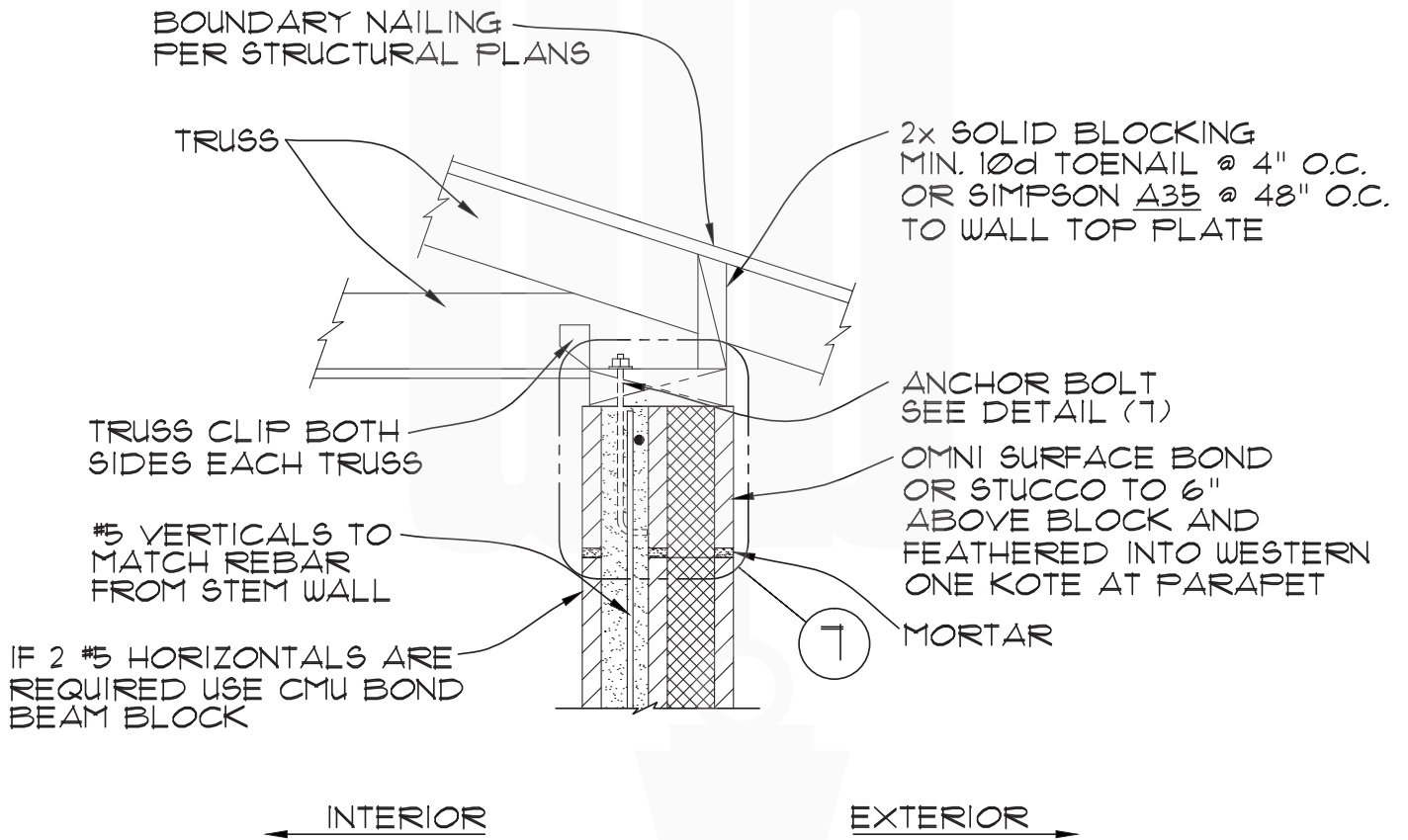
Typical Lintel (S)

'W' Beam (when used)



8" x 8" x 16" Bond Beam – with Roof Truss & Eave

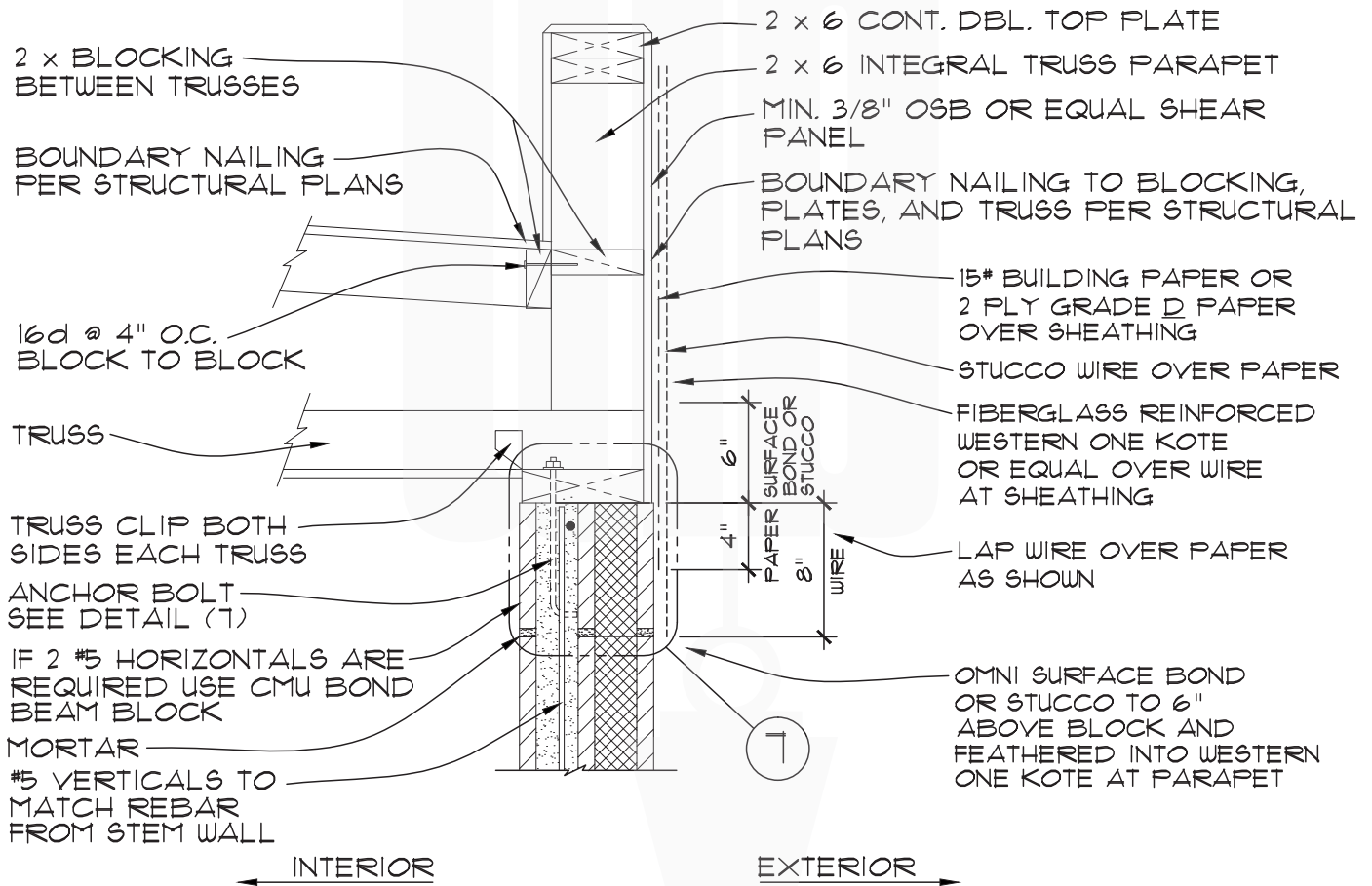
Note: Diagrams are not to scale





8" x 8" x 16" Bond Beam – with Roof Truss Parapet

Note: Diagrams are not to scale



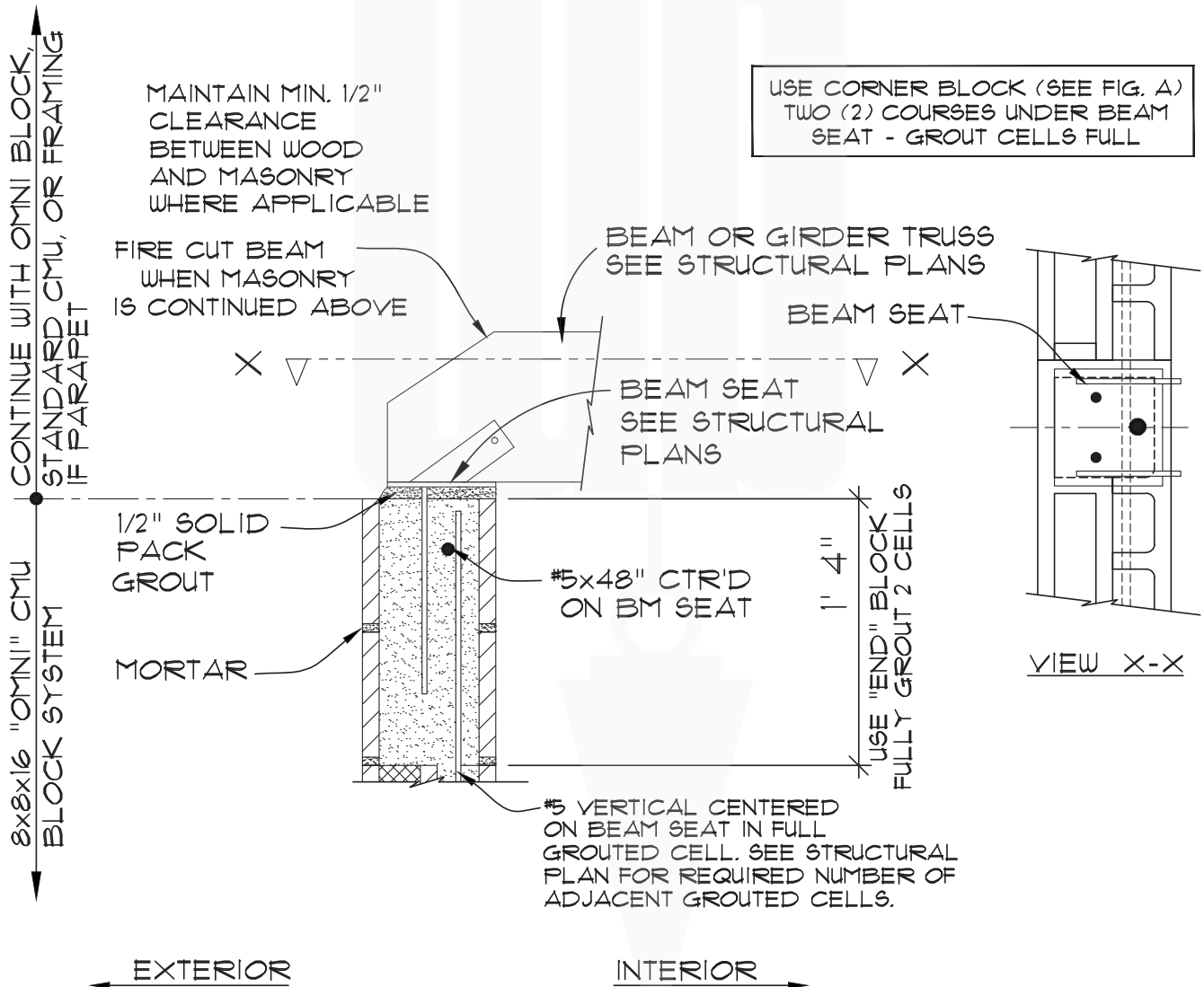
NOTE:

FLUSH SHEATHING FACE WITH BLOCK FACE AT JUNCTION FOR PROPER STUCCO FINISH



8" x 8" x 16" Beam or Truss @ CMU

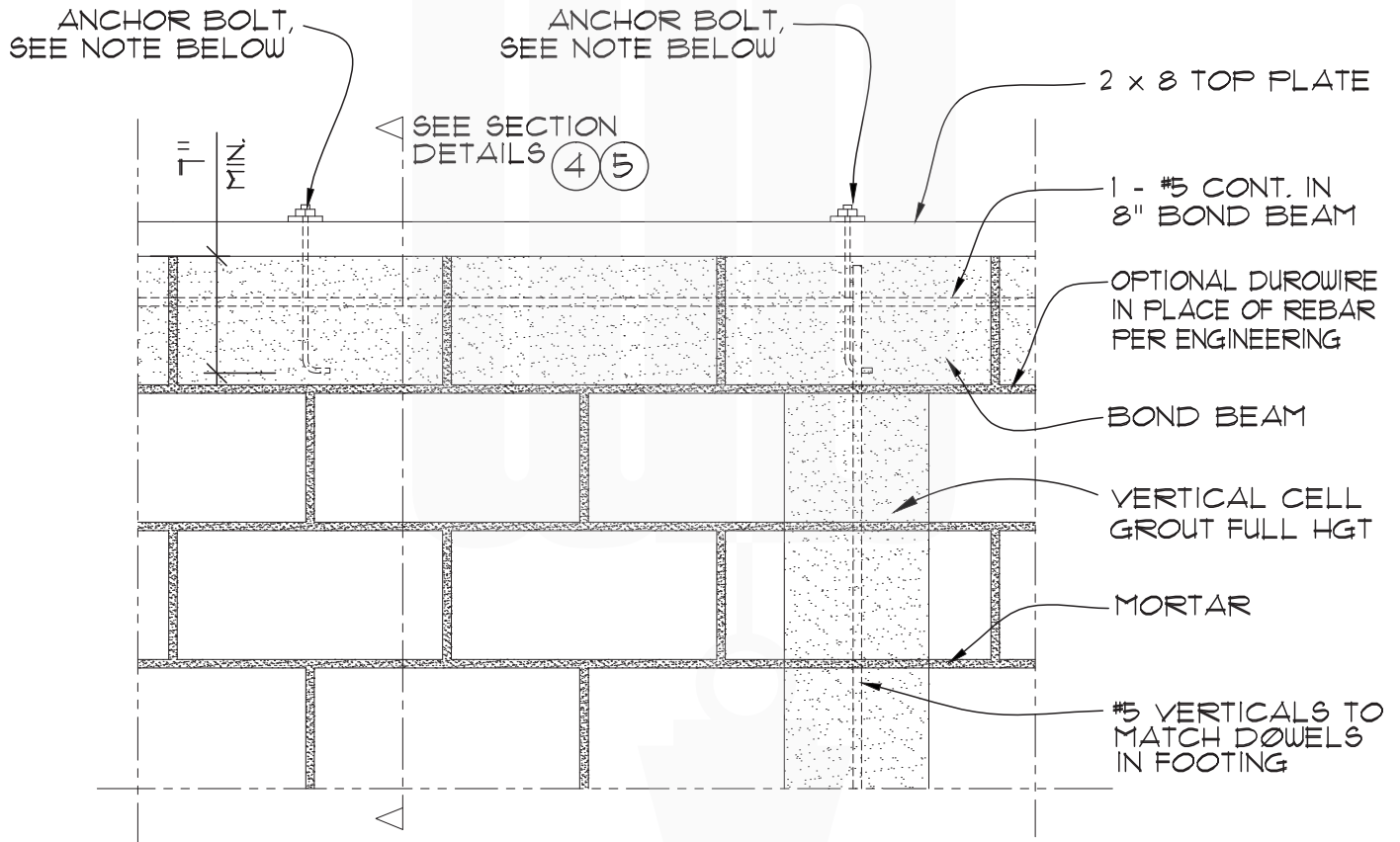
Note: Diagrams are not to scale





8" x 8" x 16" Wall to Roof / Anchor Plate

Note: Diagrams are not to scale

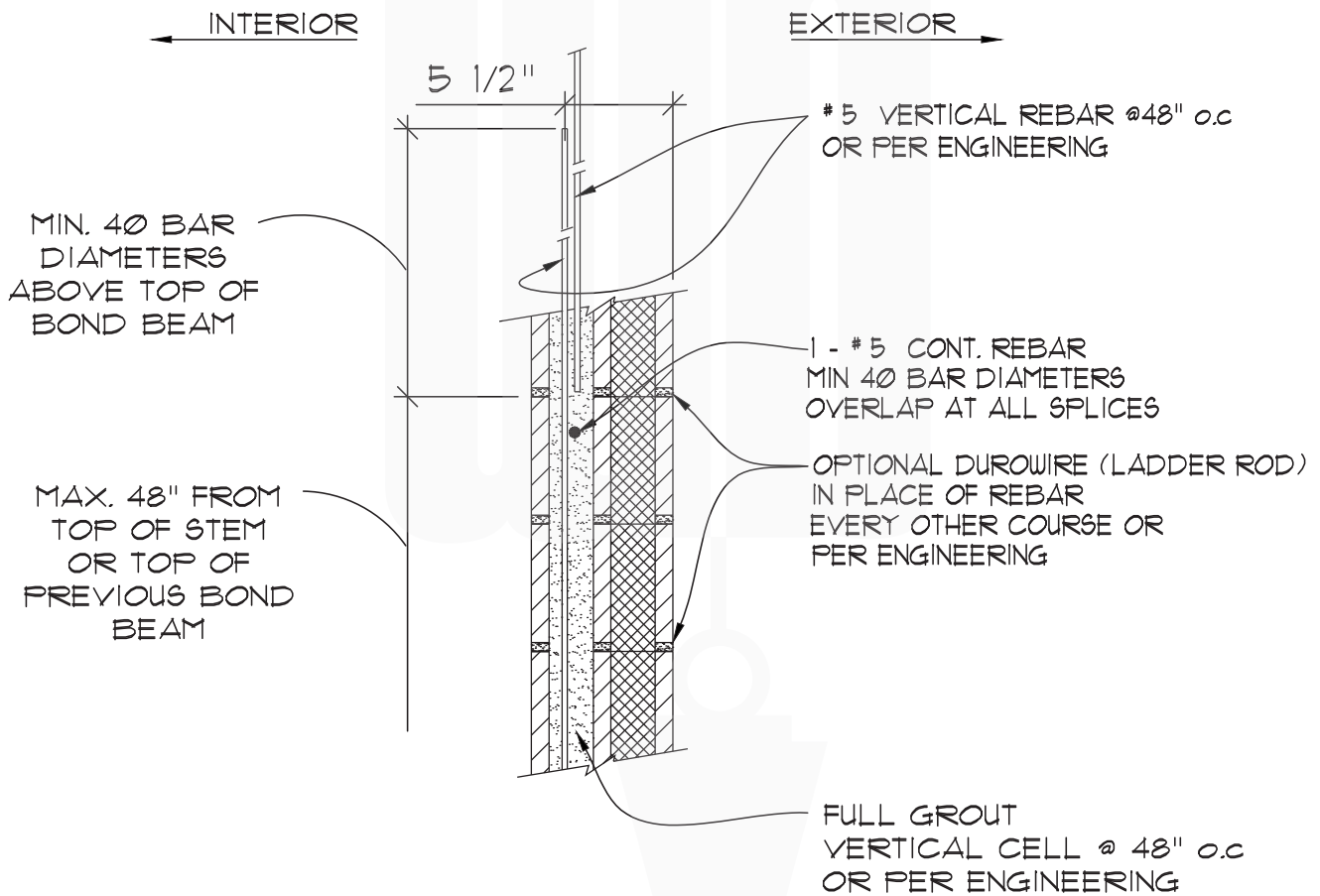


ANCHOR BOLTS: 1/2" dia W/ MIN. 7" EMBED,
2x6x5/16 FLAT WASHER, & NUT
@ 48" O.C. & MAX. 12" FROM END



8" x 8" x 16" Bond Beam – Mid Wall (optional)

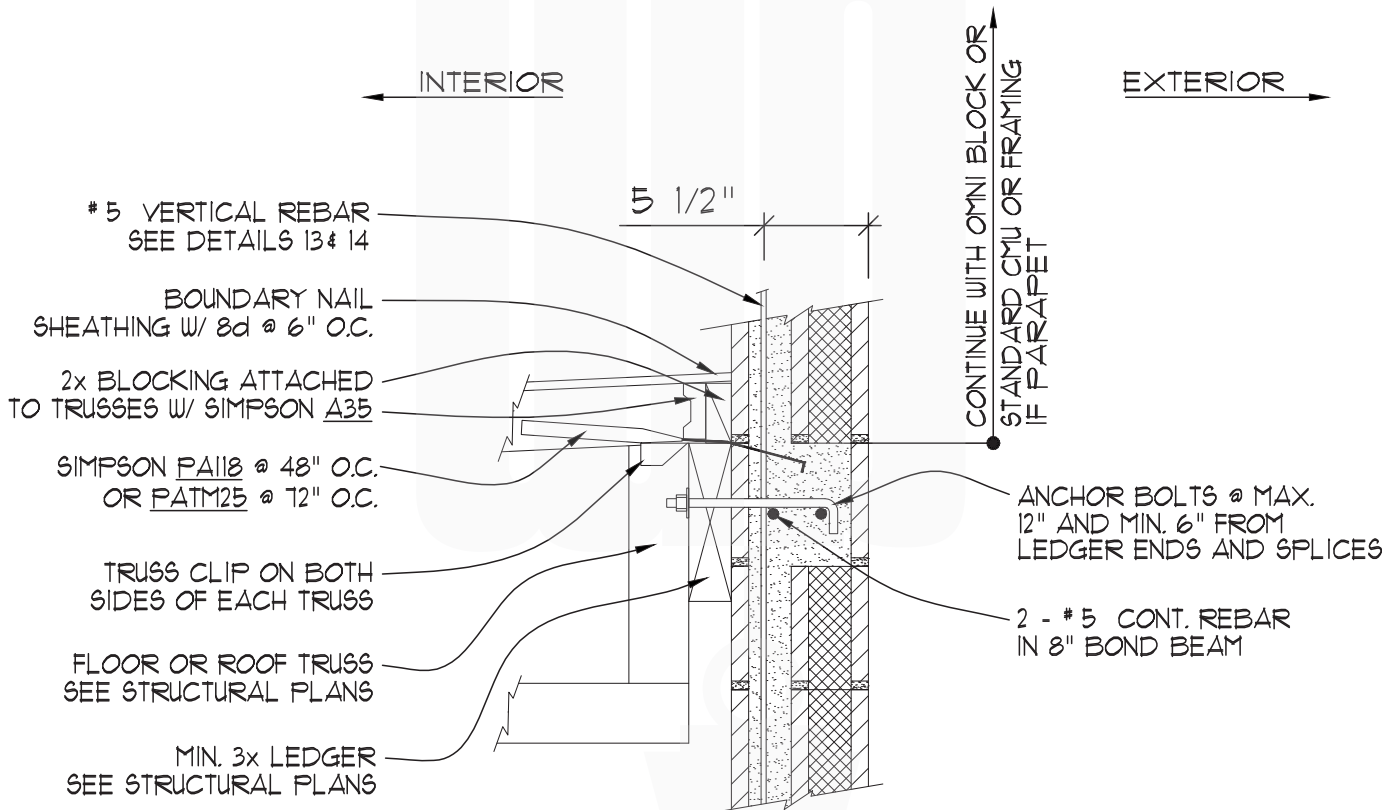
Note: Diagrams are not to scale



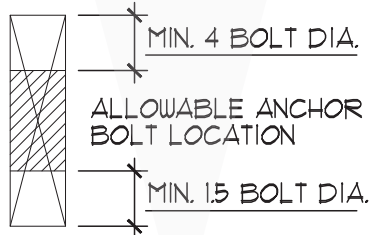


8" x 8" x 16" Load Bearing Ledger With Truss Top Chord Support

Note: Diagrams are not to scale



NOTE: LEDGER MAY BE USED ON ONE OR BOTH SIDES OF BOND BEAM



ANCHOR BOLT SPECIFICATION

DIAMETER = _____

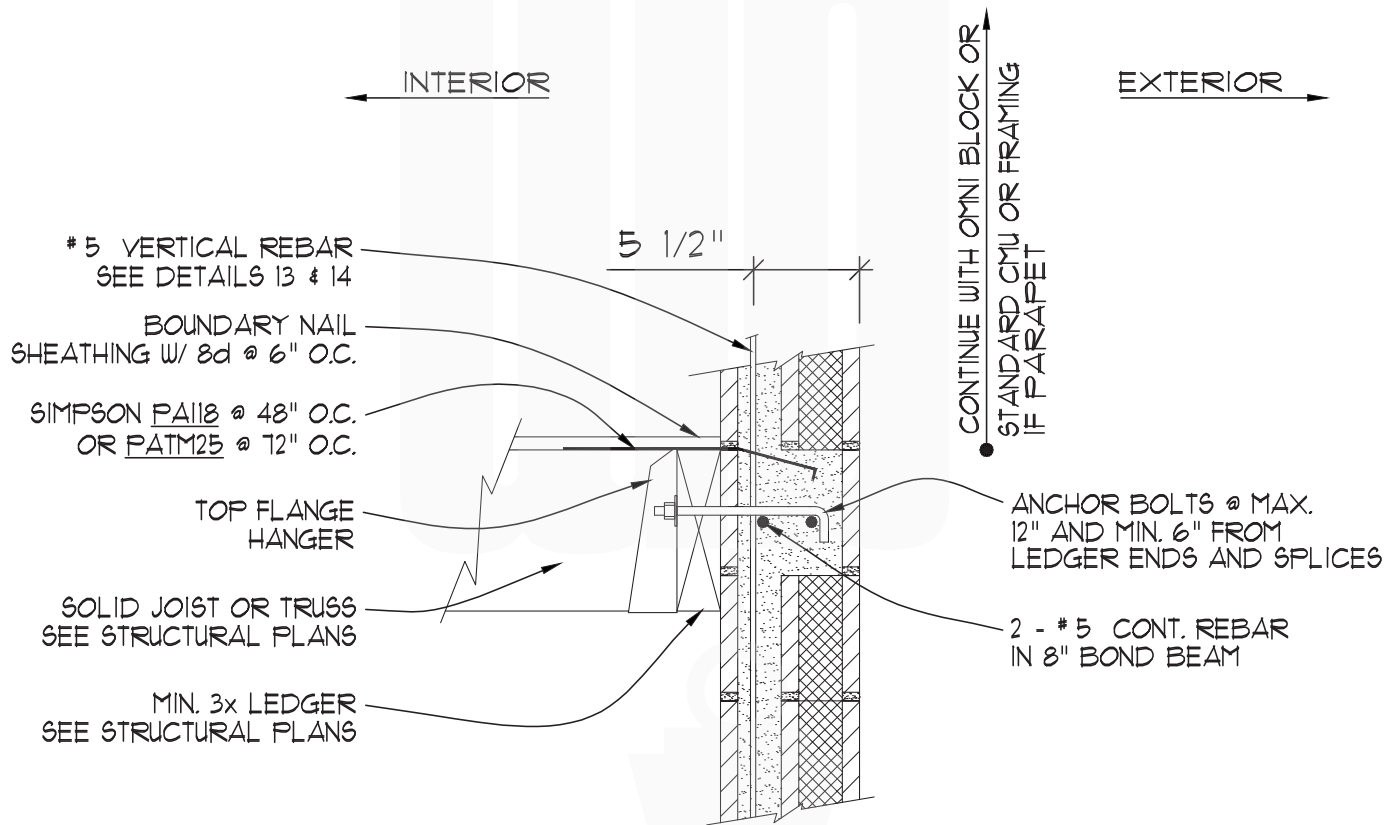
LENGTH = _____

SPACING = _____

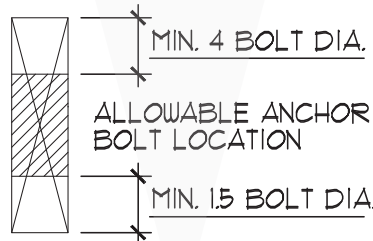


8" x 8" x 16" Load Bearing Ledger With Joist Hanger

Note: Diagrams are not to scale



NOTE: LEDGER MAY BE USED ON ONE OR BOTH SIDES OF BOND BEAM.



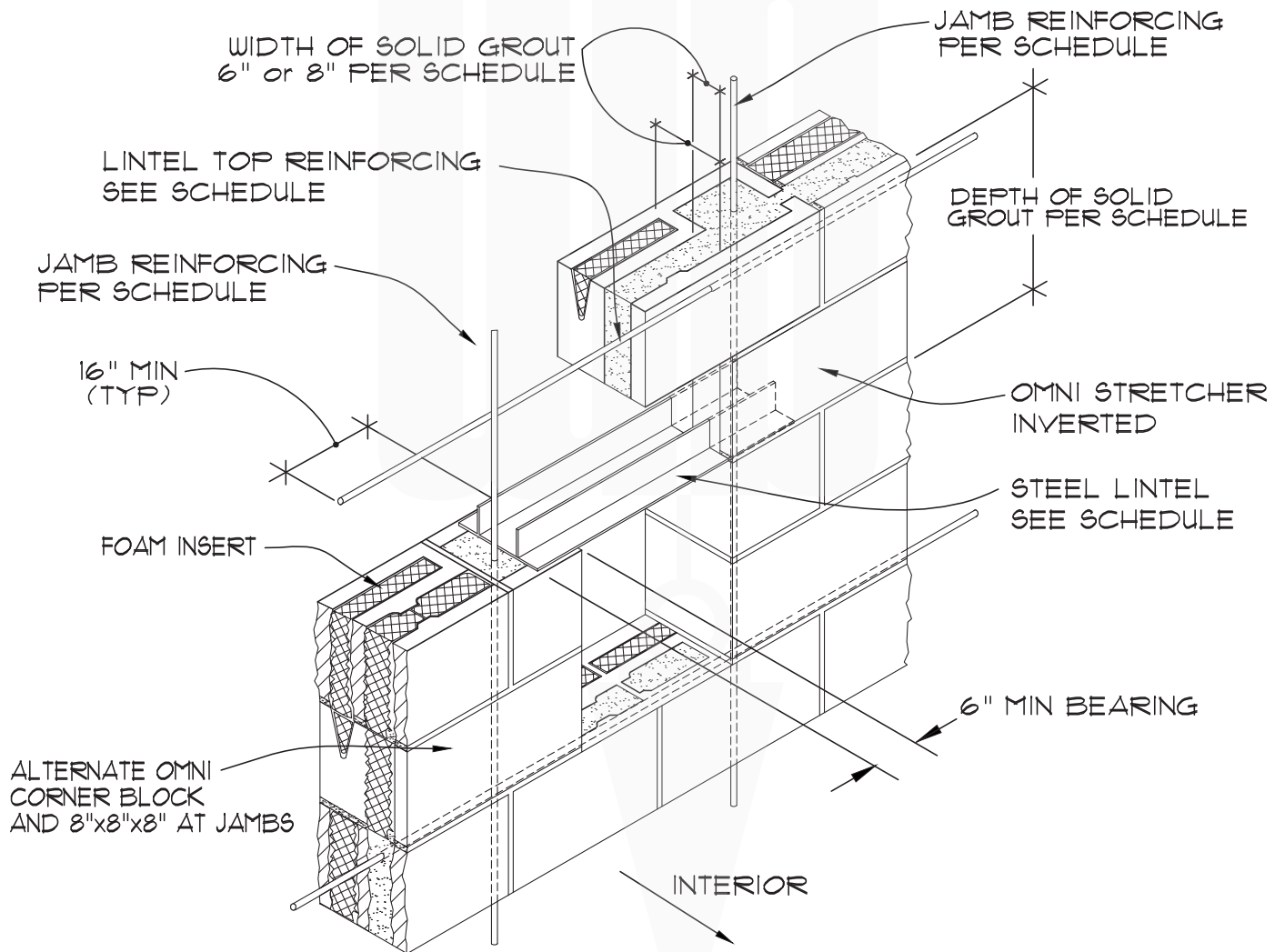
ANCHOR BOLT SPECIFICATION

DIAMETER = _____
 LENGTH = _____
 SPACING = _____



8" x 8" x 16" Window / Door Lintel Detail

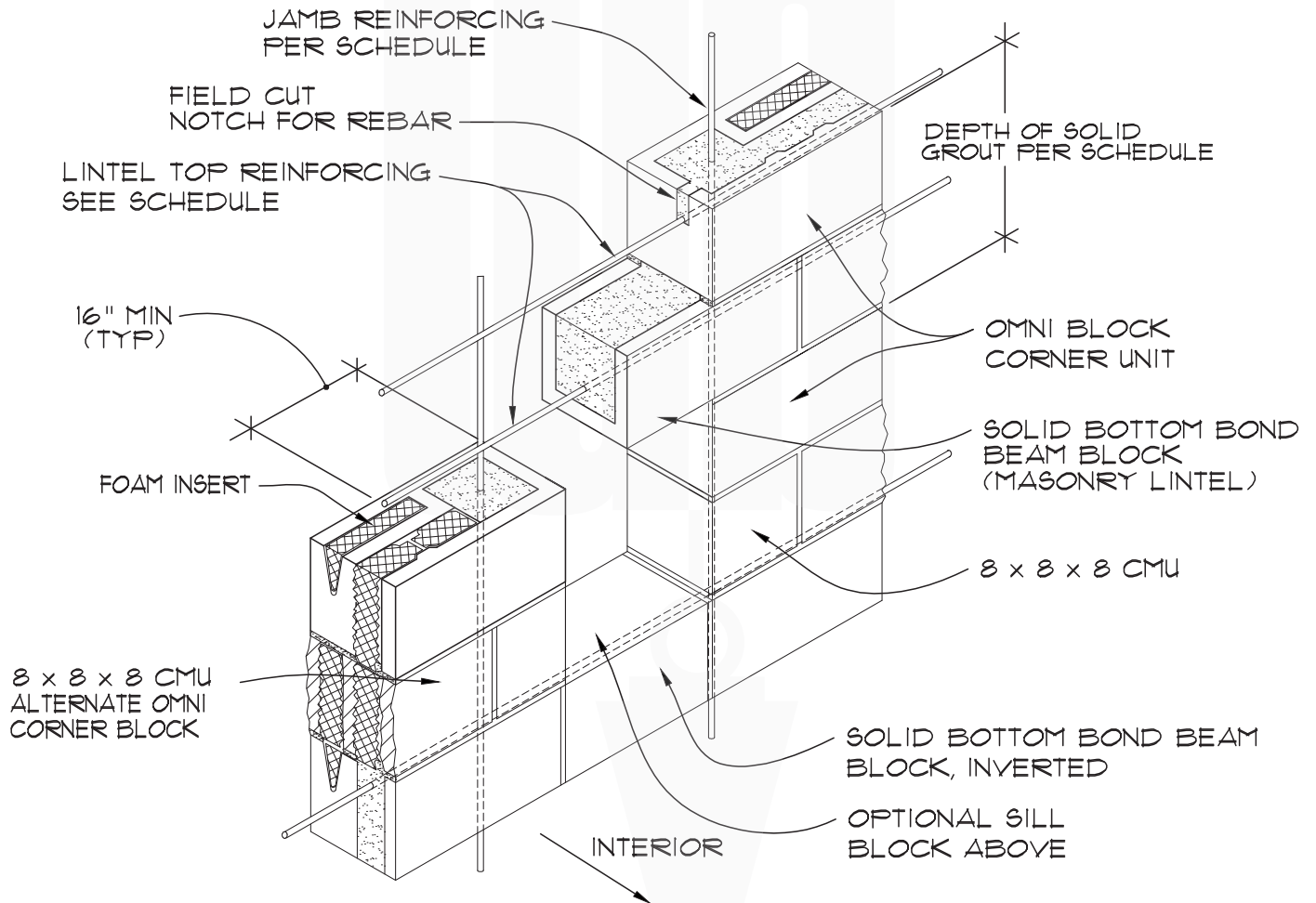
Note: Diagrams are not to scale





8" x 8" x 16" Window / Door Sill and Lintel For Exposed CMU

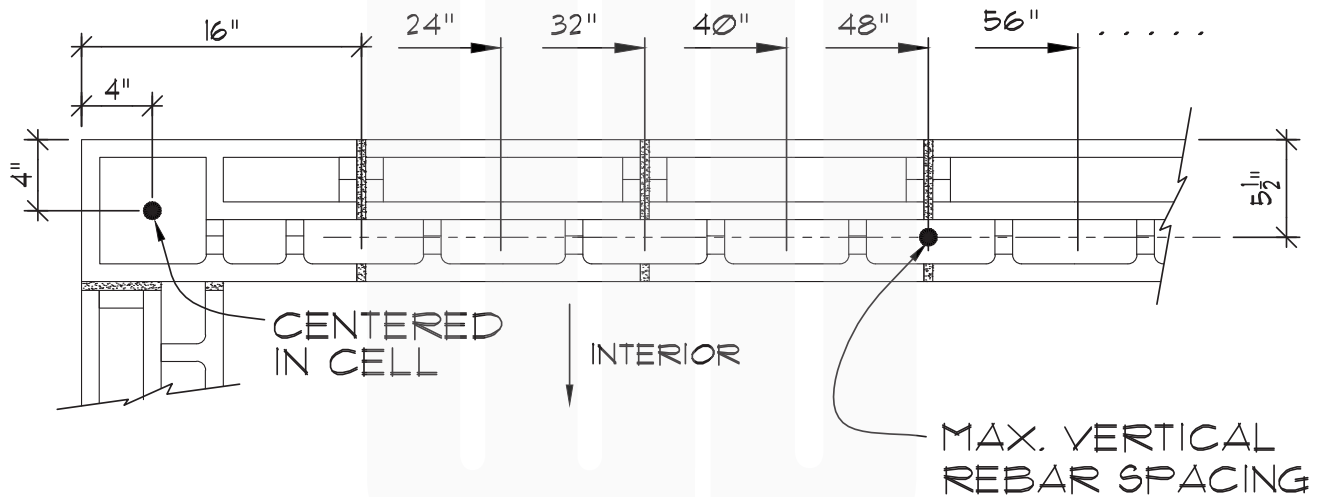
Note: Diagrams are not to scale





8" x 8" x 16" Vertical Rebar Placement – Standard Wall

Note: Diagrams are not to scale

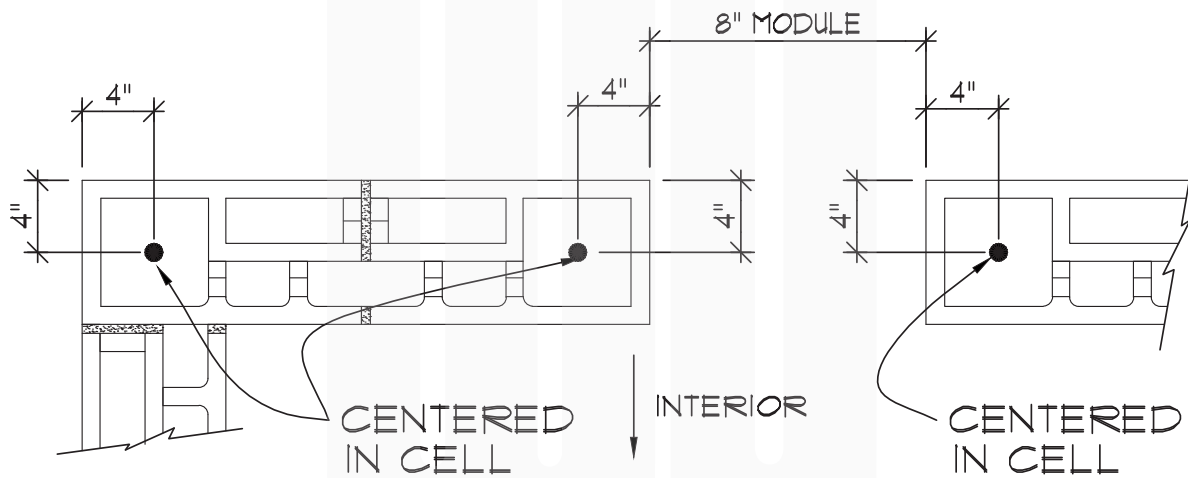


VERTICAL REBAR MAY BE PLACED
IN ANY CELL AS ILLUSTRATED ABOVE



8" x 8" x 16" Rebar Placement At Window & Door Opening

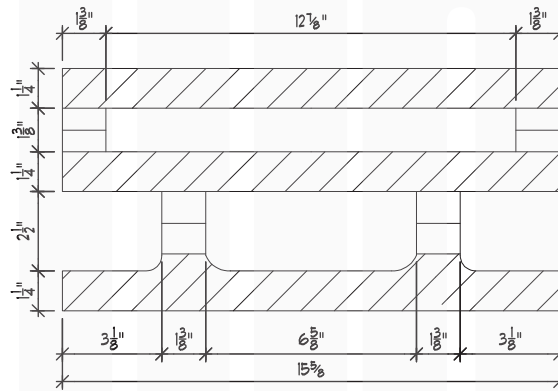
Note: Diagrams are not to scale



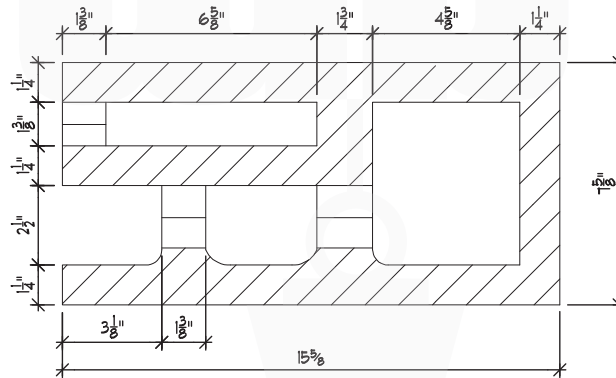


8" x 8" x 16" Block Detail

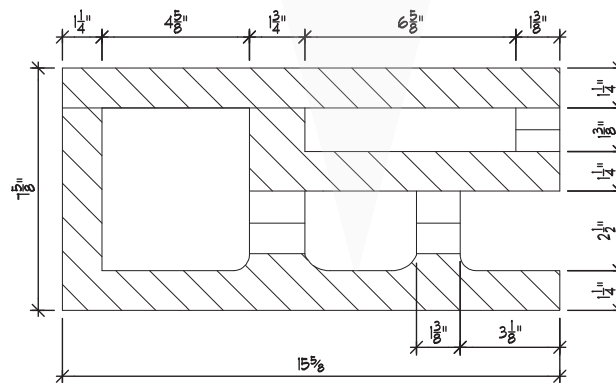
Note: Diagrams are not to scale



STRETCHER



RIGHT CORNER BLOCK

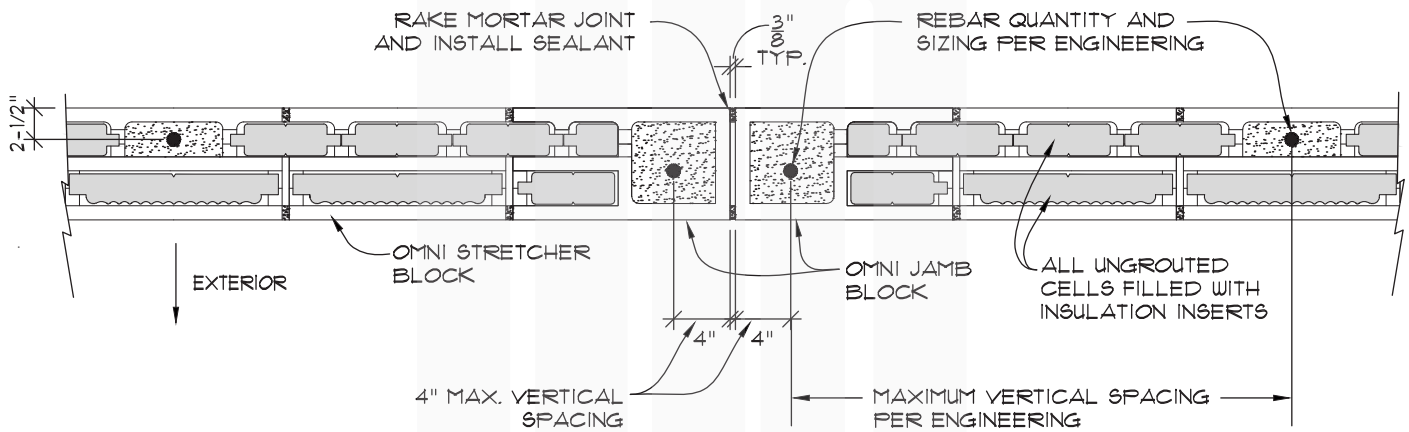


LEFT CORNER BLOCK



8" x 8" x 16" Control Joint

Note: Diagrams are not to scale





8" x 8" x 16" Angle Plate Ledger With Steel Beam

Note: Diagrams are not to scale

